

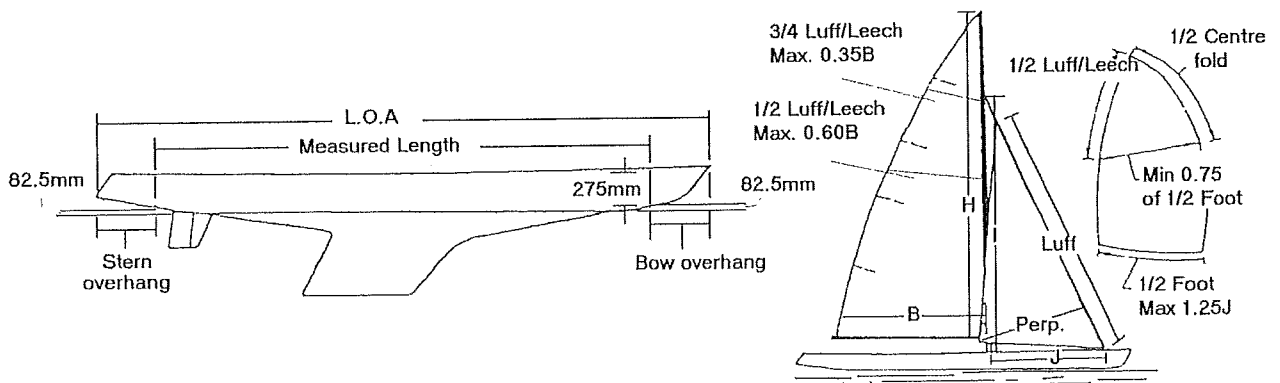
INTERNATIONAL 5.5 METRE CLASS

Aurora - GBR 51

DIMENSIONS

No.	Rule	Measurement	Min	Actual	Max
HULL					
1	23(e)	Immersion checked in salt or fresh water		Salt	
		Difference of immersion with salt water		-	
2	13	Weight of inside ballast placed at		-	
3	5	Beam	1.900m	2.024	
4	2	Max Draft		1.350	1.350m
5	4	Freeboard at bow girth station		0.761	
6	4	Freeboard at stern girth station		0.524	
7	4	Freeboard at midship mark	0.560m	0.607	
8	4	Freeboard average (item (5+6+7)÷3))	0.628m	0.631	
9	14(iii)	Keel and ballast materials (lead or iron)		Lead	
10	14(iv)	Keel height of round at bottom		-	
11	14(iv)	Maximum section width down to 1m from LWL		156mm	
12	8	Stern angle	1 in 5.5	1.5 in 5.5	
13	9	Round of beams		3 in 305	7mm
14	10	Tumblehome		0.000	
15	10	Deduct 2% of max beam		0.04	
16	10	Excess tumblehome (item 14-15)		-0.040	
17	11	Area of deck opening		2.120	2.25m ²
18	12	Cockpit forward of L1 mark	1.75m	2.366	
19	11	Breadth of side decks	350mm	385mm	

[Handwritten signature]



INTERNATIONAL 5.5 METRE CLASS

Aurora – GBR 51

DIMENSIONS

No.	Rule	Measurement	Min	Actual	Max
SAILS AND RIGGING					
20	16	Height of sailplan above covering board level		11.080	11.10m
21	18	Height of boom (black band) above covering board level	0.50m	0.835	0.850m
22	17	Height of fore triangle above covering board level (I)		8.880	8.88m
23	16	Base of fore triangle (J) (deck black band to be checked)		2.693	
24	16	Min Headsail for measurement purposes		9.564	
25	19	Spinnaker halyard above forestay		100mm	
26	19	Spinnaker halyard out from mast		30mm	
27	19	Spinnaker breadth of half the foot (Max = 1.25x J)		3.366	
28	19	Storm spinnaker, breadth of half the foot		2.524	
29	20	Spinnaker boom length		2.693	
30	21	Mast Diameter at ½ height of foretriangle	115mm	140x103	
31	21	Mast Diameter at deck		140x103	
32	21	Mast diameter at jib halyard		116x97	
33	21	Mast diameter at top		74x63	
	21	Forward –Aft mast profile measurement		140mm	
	21	Athwartships Mast profile measurement	75mm	103mm	
	21	Constant section from heel to min 6m			
	21	Permanent set not Exceeding 50mm between marks			
32	21	Mast tip weight	16kg	19 Kg	
33	22	Boom depth		104mm	152mm
34	22	Boom width	38mm	73mm	
MISCELLANEOUS					
35	29	Weight of anchor	11kg	11.011	13kg
36	29	Length of warp (min diameter 9mm)	30.5m	30.0	
37	23	Top of I marks above water with yacht in racing trim		-	

INTERNATIONAL 5.5 METRE CLASS

Aurora –

GBR 51

DIMENSIONS

No.	Rule	Measurement	Min	Actual	Max
LENGTH L FOR RATING					
39	3	Overall length LOA		9.196	
40	3	Bow overhang forward to L ₁		1.177	
41	3	Stern overhang aft to L ₁		0.731	
42	3	Total overhang (Subtract)		1.908	
43	3	Measured Length (L ₁ L ₁)		7.288	
44	3	Girth at Bow		0.774	
45	3	Twice vertical height at bow (Subtract)		0.550	
46	3	O at bow Bow	165mm	224mm	
47	3	Girth at stern		1.591	
48	3	Twice vertical height at stern		0.883	
49	3	O at stern		0.708	
50	3	Add 1/3 O at Stern	234mm	236mm	
51	3	Correct Length		7.748	

SAIL AREA FOR RATING

52	17	Largest Headsail (m ²)		9.985	
53	18	Mainsail (Height)	H:	10.245	
		Mainsail (between mast and boom band)	B:	3.712	
		¼ main sail girth (including ropemax 35% of B)		1.136	
		½ main sail girth (Including rope max 60% of B)		2.301	
54	2	Total sail area S (53+54)		29.00	
55		√S	26.5m ²	5.385	29.0m ²

DISPLACEMENT

56	13	Weight of yacht		1934Kg	
57	13	Displacement D = weight ÷ 1025.21kg/m ³	1.7m ³	1886	2.0m ³
58	13	³ √ D		1.373	

RATING

59	2	Rating calculated according to formula		5.488	
60	10	3 x tumblehome excess (add to item 60 for rating)		-	

61	2	FINAL RATING		5.488	
----	---	--------------	--	-------	--

[Handwritten signature]
PWA